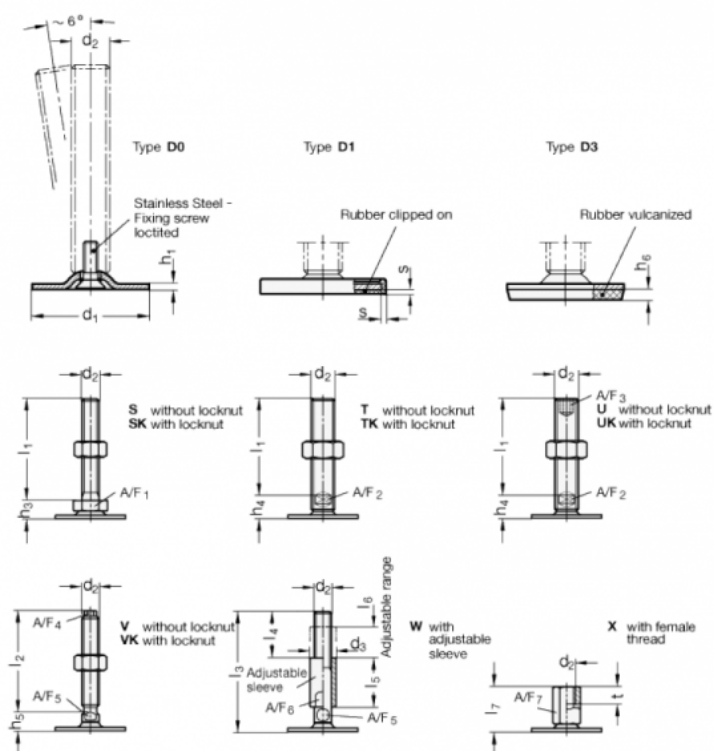


Article number: 204150M10100D3S

Description: E+G levelling foot  
GN 41-50-M10-100-D3-S

Note: S Without nut, External hexagon at the bottom

## Measures



A/F1	= 17
d1	= 50
d2	= M10
h1	= 2.5
h3	= 11
h6	= 4
l1	= 100
s	=